

Dominator[®] DSC20

Mechanics Body



► Dominator DSC20 Mechanics Body

IMT® DSC20 mechanics trucks are designed to be lightweight yet heavy-duty. Featuring a patented floor design to control unit weight and increase payload — as well as an integrated body, air compressor, and crane system — these trucks have a maximum body rating of 20,000 ft-lb (2.8 tm). And with a variety of possible configurations, the DSC20 delivers the flexibility and convenience you need to do your job.



Standard Features

- Body rating — 20,000 ft-lb (2.8 tm)
- Patented inverted A-Frame design
- System integration including body, crane and air compressors

Options

- Drawers and drawer sets
- Standard adjustable shelves
- 3"H (7.6 cm) divided adjustable shelves
- Stabilizers — manual
- Workbench vises and vise plates
- Incandescent work lights and compartment lights
- Air systems

Compatible Cranes

2003i 4004i 2020
3203i 1015



Step Bumper

A 14" step bumper with an integrated stabilizer housing that allows for easy access to the load bed and installation of rear stabilizers.



Compartment Options

A complete offering of compartment options to satisfy your storage needs. Everything from simple adjustable shelves to heavy duty drawer sets (shown).

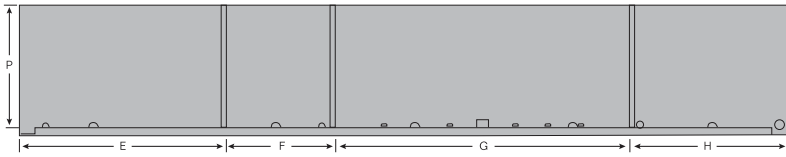
Base Body Specifications

Base Body	Body Weight	Storage Capacity	Angle of Departure	Chassis CA w/o Welder Deck	Chassis CA w/ Welder Deck
9' Standard	1850 lb (839.1 kg)	97.2 cu ft (2.8 m ³)	17° (0.29 rad)	60" (152.4 cm)	84" – 96" (213.4 – 243.8 cm)
11' Standard	2200 lb (997.9 kg)	120.5 cu ft (3.4 m ³)	17° (0.29 rad)	84" (213.4 cm)	108" – 120" (274.3 – 304.8 cm)
11' RF Raised	2250 lb (1020.6 kg)	131.3 cu ft (3.7 m ³)	17° (0.29 rad)	84" (213.4 cm)	108" – 120" (274.3 – 304.8 cm)
11' LF Raised	2250 lb (1020.6 kg)	131.3 cu ft (3.7 m ³)	17° (0.29 rad)	84" (213.4 cm)	108" – 120" (274.3 – 304.8 cm)
11' RF & LF Raised	2300 lb (1043.3 kg)	142.2 cu ft (4 m ³)	17° (0.29 rad)	84" (213.4 cm)	108" – 120" (274.3 – 304.8 cm)

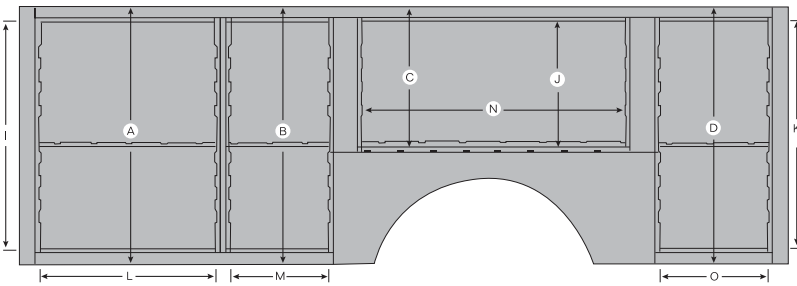
Left Hand Sidepack

Base Body	Compartment Dimensions									Door Opening Dimensions						Usable Depth
	A	B	C	D	E	F	G	H	I	J	K	L	M	N	O	
9' Standard	44" (111.8 cm)		23.88" (60.7 cm)	44" (111.8 cm)	34" (86.4 cm)		47.75" (121.3 cm)	26.75" (67.9 cm)	38.75" (98.4 cm)	21.5" (54.6 cm)	38.75" (98.4 cm)	29.75" (75.6 cm)		42.88" (108.9 cm)	18.38" (46.7 cm)	20.25" (51.4 cm)
11' Standard	44" (111.8 cm)	44" (111.8 cm)	23.88" (60.7 cm)	44" (111.8 cm)	34.93" (88.7 cm)	18.38" (46.7 cm)	50.38" (127.9 cm)	26.75" (67.9 cm)	38.75" (98.4 cm)	21.5" (54.6 cm)	38.75" (98.4 cm)	29.75" (75.6 cm)	16.75" (42.5 cm)	44.88" (114 cm)	18.38" (46.7 cm)	20.25" (51.4 cm)
11' RF Raised	44" (111.8 cm)	44" (111.8 cm)	23.88" (60.7 cm)	44" (111.8 cm)	34.93" (88.7 cm)	18.38" (46.7 cm)	50.38" (127.9 cm)	26.75" (67.9 cm)	38.75" (98.4 cm)	21.5" (54.6 cm)	38.75" (98.4 cm)	29.75" (75.6 cm)	16.75" (42.5 cm)	44.88" (114 cm)	18.38" (46.7 cm)	20.25" (51.4 cm)
11' LF Raised	60" (152.4 cm)	60" (152.4 cm)	23.88" (60.7 cm)	44" (111.8 cm)	34.93" (88.7 cm)	18.38" (46.7 cm)	50.38" (127.9 cm)	26.75" (67.9 cm)	54.75" (139.1 cm)	21.5" (54.6 cm)	38.75" (98.4 cm)	29.75" (75.6 cm)	16.75" (42.5 cm)	44.88" (114 cm)	18.38" (46.7 cm)	20.25" (51.4 cm)
11' RF & LF Raised	60" (152.4 cm)	60" (152.4 cm)	23.88" (60.7 cm)	44" (111.8 cm)	34.93" (88.7 cm)	18.38" (46.7 cm)	50.38" (127.9 cm)	26.75" (67.9 cm)	54.75" (139.1 cm)	21.5" (54.6 cm)	38.75" (98.4 cm)	29.75" (75.6 cm)	16.75" (42.5 cm)	44.88" (114 cm)	18.38" (46.7 cm)	20.25" (51.4 cm)

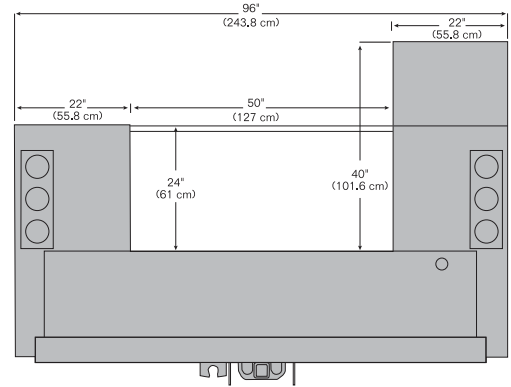
Top View



Side View



Rear View



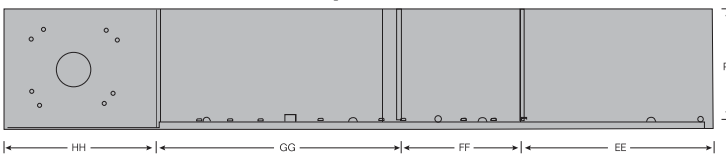
Load Bed Height

24" (61 cm) with standard height compartments
40" (101.6 cm) with raised compartments

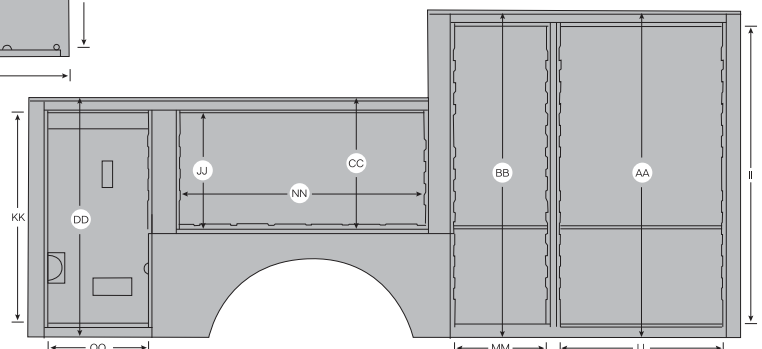
Right Hand Sidepack

Base Body	Compartment Dimensions									Door Opening Dimensions						Usable Depth
	AA	BB	CC	DD	EE	FF	GG	HH	II	JJ	KK	LL	MM	NN	OO	
9' Standard	44" (111.8 cm)		23.88" (60.7 cm)	44" (111.8 cm)	34" (86.4 cm)		47.75" (121.3 cm)	26.75" (67.9 cm)	38.75" (98.4 cm)	21.5" (54.6 cm)	38.75" (98.4 cm)	29.75" (75.6 cm)		42.88" (108.9 cm)	18.38" (46.7 cm)	20.25" (51.4 cm)
11' Standard	44" (111.8 cm)	44" (111.8 cm)	23.88" (60.7 cm)	44" (111.8 cm)	34.93" (88.7 cm)	18.38" (46.7 cm)	50.38" (127.9 cm)	26.75" (67.9 cm)	38.75" (98.4 cm)	21.5" (54.6 cm)	38.75" (98.4 cm)	29.75" (75.6 cm)	16.75" (42.5 cm)	44.88" (114 cm)	18.38" (46.7 cm)	20.25" (51.4 cm)
11' RF Raised	60" (152.4 cm)	60" (152.4 cm)	23.88" (60.7 cm)	44" (111.8 cm)	34.93" (88.7 cm)	18.38" (46.7 cm)	50.38" (127.9 cm)	26.75" (67.9 cm)	54.75" (139.1 cm)	21.5" (54.6 cm)	38.75" (98.4 cm)	29.75" (75.6 cm)	16.75" (42.5 cm)	44.88" (114 cm)	18.38" (46.7 cm)	20.25" (51.4 cm)
11' LF Raised	44" (111.8 cm)	44" (111.8 cm)	23.88" (60.7 cm)	44" (111.8 cm)	34.93" (88.7 cm)	18.38" (46.7 cm)	50.38" (127.9 cm)	26.75" (67.9 cm)	38.75" (98.4 cm)	21.5" (54.6 cm)	38.75" (98.4 cm)	29.75" (75.6 cm)	16.75" (42.5 cm)	44.88" (114 cm)	18.38" (46.7 cm)	20.25" (51.4 cm)
11' RF & LF Raised	60" (152.4 cm)	60" (152.4 cm)	23.88" (60.7 cm)	44" (111.8 cm)	34.93" (88.7 cm)	18.38" (46.7 cm)	50.38" (127.9 cm)	26.75" (67.9 cm)	54.75" (139.1 cm)	21.5" (54.6 cm)	38.75" (98.4 cm)	29.75" (75.6 cm)	16.75" (42.5 cm)	44.88" (114 cm)	18.38" (46.7 cm)	20.25" (51.4 cm)

Top View



Side View



Body Substructure

- Patented inverted A-frame design with torsion plate
- 12-gauge galvanized steel
- Integral crane box
- Rear stabilizer housing

Body Materials

- Sidepacks constructed of 14-gauge galvanized steel
- Floor structure is constructed of 12-gauge galvanized steel
- Deck plate is 1/8" (0.32 cm) steel
- Step bumper is constructed of both galvanized and cold-rolled steel

Electrical System

- Central power distribution point
- Automotive-style harnesses protected by overbraid
- White wire has circuit function printed every 3" (7.6 cm)

Doors

- Constructed of 14-gauge galvanized steel
- Internal formed eaves and hemmed edges
- 3-point latches with locking rotary T-handle
- Stainless steel hinges with composite washers



Nothing Says Commitment Like The Diamond.™

IMT has been meeting the needs of our customers for over 50 years and none of it would have been possible without a distributor network that's second to none. IMT distributors offer fast, knowledgeable service and the ability to help customers find the right product for every application. When you're looking for reliable equipment and dependable service, remember IMT.



An Oshkosh Corporation Company

Iowa Mold Tooling Co., Inc.
500 Highway 18 West
Garner, Iowa 50438
800-247-5958 • www.imt.com

IMT reserves the right to make changes in engineering, design, and specifications; add improvements; or discontinue manufacturing at any time without notice or obligation. IMT, the IMT logo, Dominator and NOTHING SAYS COMMITMENT LIKE THE DIAMOND are registered trademarks or trademarks of Iowa Mold Tooling Co., Inc., Garner, IA, USA.
© 2014 Iowa Mold Tooling Co., Inc. All Rights Reserved.

01/14